

Combined **GPS/GLONASS** Receiver

Compliant with IMO and MSC standard



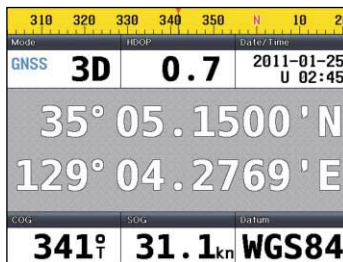
◆ Features

- Fully compliance with IMO and MSC standards
- Compact size and light weighted; easy to install any locations
- Full automatic positioning can runs without initial default setting required
- Comfort/easy view for night navigation with LCD back-lighting controller
- Interfaced with external devices and DATA(NMEA-0183)
- Multi-user mode will be able to display with acceptable screen

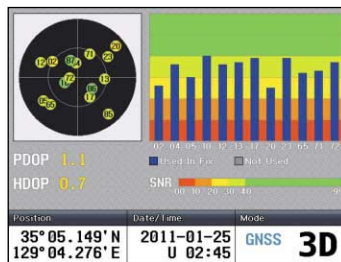
◆ Specification

- Product Dimensions : 150mm(W) x 242mm(H) x 61mm(D)
- Product Display : 5.6 inch, TFT color, 640 x 480 pixel
- Supply Voltage : in 24 Volt; LCD's brightness at minimum- 400mA and maximum- 510mA
- Operating Temperature : -15°C ~ 55°C
- Rx Frequency : L1 1590MHz ± 20MHz
- Number of Channels : able to use 24 of different GNSS systems
- User's card slot type : SD Card
- Geodetic Survey Devices : 5 different type (WGS-84, WGS-72, EARTH-90, PULKOVO1942, PULKOVO1995)
- Location Information Renewal Cycle : every 1 second
- Precision location : GPS/GLONASS: within ±30m
Differential: within ±10m
- Data Communication : NMEA0183: 4800, 9600, 38400 (DTM, GBS, GGA, GLL, GNS, RMC, VTG, ZDA)

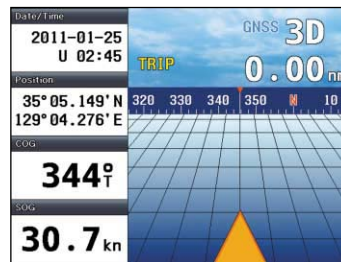
◆ Multi-Display Mode



Navigation Data mode



Satellite Information mode

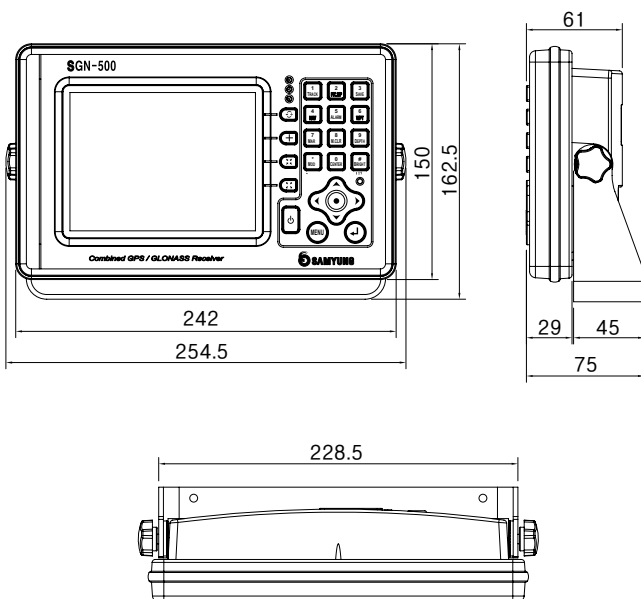


Highway mode

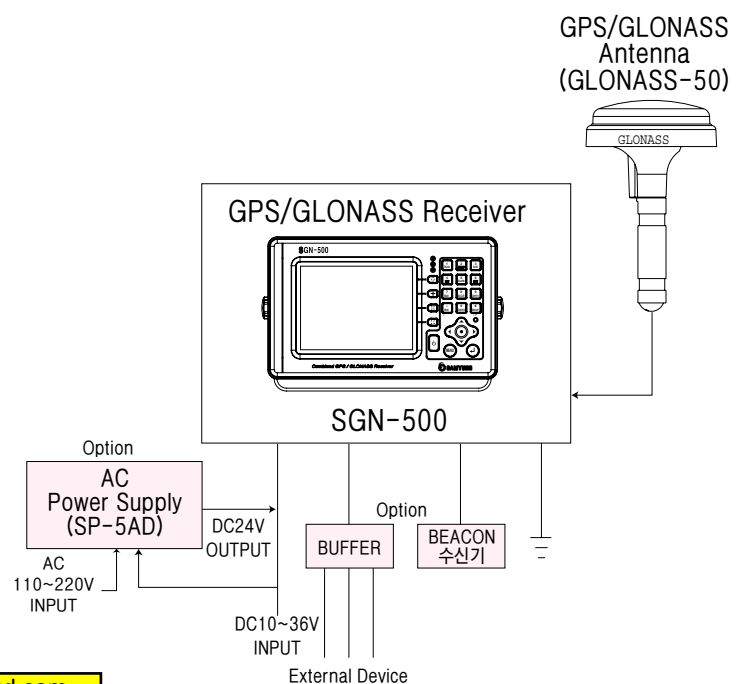


Gauge mode (Digital, Speedometer)

◆ Dimensions



◆ Configuration



Distributed By: Technotime Limited, info@technotimeltd.com
+2348078600505, +2348032690065.

*Specification is subject to change without any notification